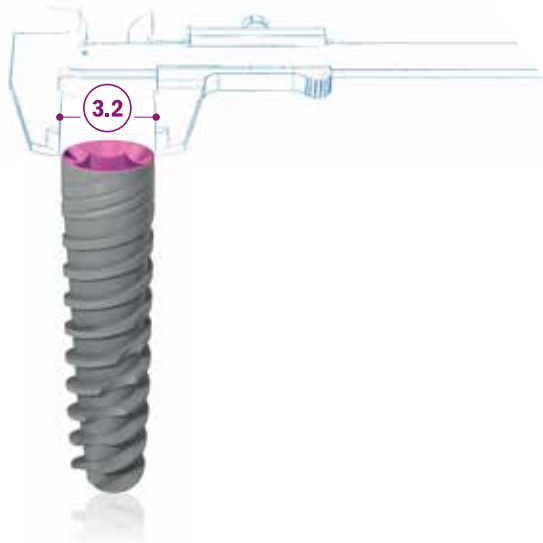


SAFE AS ALWAYS, THINNER THAN EVER

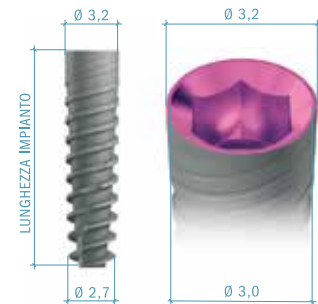


ADVANTAGES

- High primary stability, even in type 4 bone.
- Self drilling and self cutting.
- Redirecting capability for optimal placement.
- Immediate function capability.
- Built-in Platform switching.
- Solves tight spacing problems.
- Designed specifically for narrow spaces in the esthetic zone.

IMPLANT MEASURES AND LENGTHS

The JDEvolution®S dental implant is available in the lengths shown in the following chart:



DRILLING SEQUENCE

It is recommended to adhere to the indications of the following drilling sequence to ensure optimal primary stability of the implant.

| IMPLANT DIAMETER | SOFT BONE TYPE IV | MEDIUM BONE TYPE II-III | DENSE BONE TYPE I |
|------------------|-------------------|-------------------------|-------------------|
| Ø 3.2 | 1,5 (2) | 2 2,4 | 2 2,4 (2,8) |

Note: All dimensions are expressed in millimeters.

PRODUCT CATALOGUE

Implants:

Ø 3,2

| | |
|----------|-----------------------------|
| EV32 080 | JDEvolution® S Ø 3.2 L 8 |
| EV32100 | JDEvolution® S Ø 3.2 L 10 |
| EV32115 | JDEvolution® S Ø 3.2 L 11,5 |
| EV32130 | JDEvolution® S Ø 3.2 L 13 |
| EV32150 | JDEvolution® S Ø 3.2 L 15 |



Cover screw:

| | |
|------|----------------------------|
| ESCS | Cover screw JDEvolution® S |
|------|----------------------------|



Healing Abutment:

| | |
|---------|---|
| ESHA323 | Healing Abutment Ø 3.2 H 3.0 JDEvolution® S |
| ESHA325 | Healing Abutment Ø 3.2 H 5.0 JDEvolution® S |
| ESHA327 | Healing Abutment Ø 3.2 H 7.0 JDEvolution® S |
| ESHA403 | Healing Abutment Ø 4.0 H 3.0 JDEvolution® S |
| ESHA405 | Healing Abutment Ø 4.0 H 5.0 JDEvolution® S |
| ESHA407 | Healing Abutment Ø 4.0 H 7.0 JDEvolution® S |



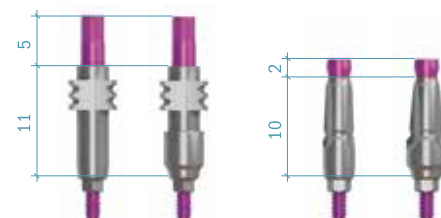
Impression coping:

OPEN TRAY

| | |
|-----------|--|
| ESICOT32C | Impression coping open tray Ø 3.2 JDEvolution® S |
| ESICOT40C | Impression coping open tray Ø 4.0 JDEvolution® S |

CLOSED TRAY

| | |
|-----------|--|
| ESICCT32C | Impression coping closed tray Ø 3.2 JDEvolution® S |
| ESICCT40C | Impression coping closed tray Ø 4.0 JDEvolution® S |



Temporary Abutment:

| | |
|---------|--|
| ESTAEC | Temporary Abutment engaging JDEvolution® S |
| ESTANEC | Temporary Abutment non engaging JDEvolution® S |



Immediate Temporary Abutment:

| | |
|---------|--|
| ESIT15C | Immediate Temporary Abutment h1.5 JDEvolution® S |
| EVITC | Healing cap |



GP Abutment:

| | |
|-------------|--------------------------------------|
| ESGPAE32C | GP Abutment Ø 3.2 JDEvolution® S |
| ESGPAE40C | GP Abutment Ø 4.0 JDEvolution® S |
| ES15GPAE40C | GP Abutment 15° Ø 4.0 JDEvolution® S |

Torque recommended 30 Ncm



Anatomic Abutment:

| | |
|---------|--|
| ESAA15C | Anatomic Abutment Ø 4.0 H 1.5 JDEvolution® S |
| ESAA30C | Anatomic Abutment Ø 4.0 H 3.0 JDEvolution® S |

Torque recommended 30 Ncm



Wax up Abutment:

| | |
|---------|---|
| ESWAEC | Wax-up Abutment engaging JDEvolution® S |
| ESWANEC | Wax-up Abutment non engaging JDEvolution® S |

Torque recommended 30 Ncm



Prosthetic screw:

| | |
|------|---|
| ESS | Abutment Screw JDEvolution® S |
| ESSA | Abutment Screw Angulated JDEvolution® S |

Torque recommended 30 Ncm



Conical Abutment:

| | |
|-----------|---|
| ESCA15C | Straight Conical Abutment H 1.5 JDEvolution® S |
| ESCA30C | Straight Conical Abutment H 3.0 JDEvolution® S |
| ESCA1725C | 17° Angulated Conical Abutment H2.5 JDEvolution® S |
| ESCA1735C | 17° Angulated Conical Abutment H3.5 JDEvolution® S |
| ESCA3025C | 30° Angulated Conical Abutment H2.5 JDEvolution® S |
| ESCA3035C | 30° Angulated Conical Abutment H3.5 JDEvolution® S |
| ESCASA | Screw for angulated Conical Abutment JDEvolution® S |

Torque recommended 30 Ncm



Note: All the prosthetic components on conical abutments are the same as JDEvolution® implant line.

TiBase, JDScanBody and Implant Replica CAD CAM:

| | |
|------------|--|
| ESSBCEC | JDScanBody for JDEvolution® S |
| ESTIBC | TiBase engaging JDEvolution® S |
| ESTIBNEC | TiBase non engaging JDEvolution® S |
| ESTIB15C | TiBase engaging H 1.5 JDEvolution® S |
| ESTIB15NEC | TiBase non engaging H 1.5 JDEvolution® S |
| ESTIB30C | TiBase engaging H 3.0 JDEvolution® S |
| ESTIB30NEC | TiBase non engaging H 3.0 JDEvolution® S |
| EVSCBOW | ScanBody for TiBase |
| ESANC | Implant replica CAD CAM for JDEvolution® S |
| ESPMNC | JD Pre-milled blanks and abutment screw JDEvolution® S |

Torque recommended 30 Ncm



Gold Abutment:

ESGAEC

Gold Abutment engaging JDEvolution® S

Torque recommended 30 Ncm



Ball Abutment:

ESBA15

Ball Abutment H 1.5 JDEvolution® S

ESBA30

Ball Abutment H 3.0 JDEvolution® S

ESBA50

Ball Abutment H 5.0 JDEvolution® S

EVBAA

Ball Abutment replica JDEvolution® S

EVBAHC

Cap attachment housing and elastic retentive cap Ball Abutment

EVBAN

Elastic retentive cap Ball Abutment



Torque recommended 30 Ncm

Emi Abutment:

ESEMI15

Emi Abutment H 1.5 JDEvolution® S

ESEMI30

Emi Abutment H 3.0 JDEvolution® S

ESEMI50

Emi Abutment H 5.0 JDEvolution® S

EVEMIA

Emi Abutment replica JDEvolution® S

EVEMISCK

Smart cap attachment housing Emi Abutment

EVEMIHC

Cap attachment housing and elastic retentive cap Emi Abutment

EVEMIN

Elastic retentive cap Emi Abutment

Torque recommended 30 Ncm



Note: All the prosthetic components on emi abutments are the same as JDEvolution® implant line.

Implant replica:

ESAN

Implant replica JDEvolution® S



Implant and Prosthetic Drivers

ESID

Implant Driver JDEvolution® S

ESIDL

Implant Driver Long JDEvolution® S

Note: All the prosthetic screwdrivers are the same as JDEvolution® implant line.



Bone Mills:

JDBMNC

Bone Mill Ø 5.0 and Bone Mill guide

JDBM6C

Bone Mill Ø 6.0 and Bone Mill guide

JDBM3

Bone Mill guide JDEvolution® S





JDENTALCARE

www.jdentalcare.com